



Refrigerated Showcases

*Models RS-CN-0145S-5, 0186S-5, 0225S-5,
0277S-5, 0145C, 0186C, 0225C, 0277C
Items 47962, 47963, 47964, 47965, 47448, 47966,
47967, 47968*

Instruction Manual



STOP

**DO NOT RETURN
THIS PRODUCT TO THE STORE**

For questions or assistance with this
product call OMCAN Toll Free:
1 800 465 0234
Customer Service
or
visit the Support section of
www.omcan.com

Revised - 01/22/2024



Intertek



Intertek

Toll Free: 1-800-465-0234
Fax: 905-607-0234
Email: service@omcan.com
www.omcan.com



Table of Contents

Model RS-CN-0145S-5 / Model RS-CN-0186S-5 / Model RS-CN-0225S-5
Model RS-CN-0277S-5 / Model RS-CN-0145C / Model RS-CN-0186C
Model RS-CN-0225C / Model RS-CN-0277C

Section	Page
Disclaimer -----	3
General Information -----	4 - 5
Safety and Warranty -----	5 - 8
Technical Specifications -----	8 - 9
Operation -----	9 - 10
Maintenance -----	10
Troubleshooting -----	11
Parts Breakdown -----	12 - 27
Electrical Schematics -----	28
Notes -----	29 - 30
Warranty Registration -----	31

Disclaimer

OMCAN IS NOT RESPONSIBLE FOR ANY DAMAGES DUE TO WATER LEAKS. WARRANTY FOR WATER LEAKS IS VOID IF THE AMBIENT ROOM TEMPERATURE EXCEEDS 75°F AND 55% RELATIVE HUMIDITY, AND THE APPLIANCE DRAIN IS NOT CONNECTED DIRECTLY TO A FLOOR DRAIN.

OMCAN N'EST PAS RESPONSABLE DES DOMMAGES DUS AUX FUITES D'EAU. LA GARANTIE POUR LES FUITES D'EAU EST ANNULÉE SI LA TEMPÉRATURE AMBIANTE DE LA PIÈCE DÉPASSE 75°F ET 55% D'HUMIDITÉ RELATIVE, ET SI LE DRAIN DE L'APPAREIL N'EST PAS RACCORDÉ DIRECTEMENT À UN DRAIN DE PLANCHER.

OMCAN NO SE HACE RESPONSABLE DE LOS DAÑOS CAUSADOS POR FUGAS DE AGUA. LA GARANTÍA POR FUGAS DE AGUA QUEDA ANULADA SI LA TEMPERATURA AMBIENTE SUPERA LOS 75°F Y EL 55% DE HUMEDAD RELATIVA, Y EL DESAGÜE DEL APARATO NO ESTÁ CONECTADO DIRECTAMENTE A UN DESAGÜE DE PISO.

General Information

Omcan Manufacturing and Distributing Company Inc., Food Machinery of America, Inc. dba Omcan and Omcan Inc. are not responsible for any harm or injury caused due to any person's improper or negligent use of this equipment. The product shall only be operated by someone over the age of 18, of sound mind, and not under the influence of any drugs or alcohol, who has been trained in the correct operation of this machine, and is wearing authorized, proper safety clothing. Any modification to the machine voids any warranty, and may cause harm to individuals using the machine or in the vicinity of the machine while in operation.

CHECK PACKAGE UPON ARRIVAL

Upon receipt of an Omcan shipment please inspect for external damage. If no damage is evident on the external packaging, open carton to ensure all ordered items are within the box, and there is no concealed damage to the machine. If the package has suffered rough handling, bumps or damage (visible or concealed), please note it on the bill of lading before accepting the delivery and contact Omcan within 24 hours, so we may initiate a claim with the carrier. A detailed report on the extent of the damage caused to the machine must be filled out within three days, from the delivery date shown in the shipping documents. Omcan has no recourse for damaged products that were shipped collect or third party.

Before operating any equipment, always read and familiarize yourself with all operation and safety instructions.

Omcan would like to thank you for purchasing this machine. It's of the utmost importance to save these instructions for future reference. Also save the original box and packaging for shipping the equipment if servicing or returning of the machine is required.

Omcan Fabrication et distribution Compagnie Limitée et Food Machinery d'Amérique, dba Omcan et Omcan Inc. ne sont pas responsables de tout dommage ou blessure causé du fait que toute personne ait utilisé cet équipement de façon irrégulière. Le produit ne doit être exploité que par quelqu'un de plus de 18 ans, sain d'esprit, et pas sous l'influence d'une drogue ou d'alcool, qui a été formé pour utiliser cette machine correctement, et est vêtu de vêtements de sécurité appropriés. Toute modification de la machine annule toute garantie, et peut causer un préjudice à des personnes utilisant la machine ou des personnes à proximité de la machine pendant son fonctionnement.

VÉRIFIEZ LE COLIS DÈS RÉCEPTION

Dès réception d'une expédition d'Omcan veuillez inspecter pour dommages externes. Si aucun dommage n'est visible sur l'emballage externe, ouvrez le carton afin de s'assurer que tous les éléments commandés sont dans la boîte, et il n'y a aucun dommage dissimulé à la machine. Si le colis n'a subi aucune mauvaises manipulations, de bosses ou de dommages (visible ou cachée), notez-le sur le bond de livraison avant d'accepter la livraison et contactez Omcan dans les 24 heures qui suivent, pour que nous puissions engager une réclamation auprès du transporteur. Un rapport détaillé sur l'étendue des dommages causés à la machine doit être rempli dans un délai de trois jours, à compter de la date de livraison indiquée dans les documents d'expédition. Omcan n'a aucun droit de recours pour les produits endommagés qui ont été expédiés ou cueilli par un tiers transporteur.

General Information

Avant d'utiliser n'importe quel équipement, toujours lire et vous familiariser avec toutes les opérations et les consignes de sécurité.

Omcan voudrais vous remercier d'avoir choisi cette machine. Il est primordial de conserver ces instructions pour une référence ultérieure. Également conservez la boîte originale et l'emballage pour l'expédition de l'équipement si l'entretien ou le retour de la machine est nécessaire.

Omcan Empresa De Fabricacion Y Distribucion Inc. Y Maquinaria De Alimentos De America, Inc. dba Omcan y Omcan Inc. no son responsables de ningun daño o perjuicio causado por cualquier persona inadecuada o el uso descuidado de este equipo. El producto solo podra ser operado por una persona mayor de 18 años, en su sano juicio y no bajo alguna influencia de droga o alcohol, y que este ha sido entrenado en el correcto funcionamiento de esta máquina, y ésta usando ropa apropiada y autorizada. Cualquier modificación a la máquina anula la garantía y puede causar daños a las personas usando la máquina mientras esta en el funcionamiento.

REVISE EL PAQUETE A SU LLEGADA

Tras la recepcion de un envio Omcan favor inspeccionar daños externos. Si no hay daños evidentes en el empaque exterior, Habra el carton para asegurarse que todos los articulos solicitados estén dentro de la caja y no encuentre daños ocultos en la máquina. Si el paquete ha sufrido un manejo de poco cuidado, golpes o daños (visible o oculto) por favor anote en la factura antes de aceptar la entrega y contacte Omcan dentro de las 24 horas, de modo que podamos iniciar una reclamación con la compañía. Un informe detallado sobre los daños causados a la máquina debe ser llenado en el plazo de tres días, desde la fecha de entrega que se muestra en los documentos de envío. Omcan no tiene ningun recurso por productos dañados que se enviaron a recoger por terceros.

Antes de utilizar cualquier equipo, siempre lea y familiarizarse con todas las instrucciones de funcionamiento y seguridad.

Omcan le gustaría darle las gracias por la compra de esta máquina. Es de la mayor importancia para salvar estas instrucciones para futuras consultas. Además, guarda la caja original y el embalaje para el envío del equipo si servicio técnico o devolución de la máquina que se requiere.

Safety and Warranty

CAUTIONS

- Shorten the door open time and reduce open frequency is good to keep a cold temperature inside the refrigerator.
- Never block the air suction and outlet. Keep air circulation and refrigeration capability. Do not make food congested as it will influence the cooling effect.
- Adjust the rack height for proper food storage.

Safety and Warranty

- Cool the hot food down to room temperature before you put it into the refrigerator.
- Try to reduce the open times and keep refrigerator inside cold in case the power is cut off. Only skilled service man is allowed to repair the damaged power cable with special tools. Never touch compressor to avoid from scald.
- If the supply cord is damaged, it must be replaced by the manufacturer, its service agent or similarly qualified persons in order to avoid a hazard.
- This appliance is not intended for use by persons (including children) with reduced physical, sensory or mental capabilities, or lack of experience and knowledge, unless they have been given supervision or instruction concerning use of the appliance by a person responsible for their safety.
- Children should be supervised to ensure that they do not play with the appliance.
- The operation manual are not suitable for the persons (including children) with reduced physical, sensory or mental capabilities, or lack of experience and knowledge.
- Do not store explosive substances such as aerosol cans with a flammable propellant in this appliance.
- During normal operation, the emission noise level does not exceed 70dB(A). The maximum loading of the Shelf does not exceed 18kg.
- The climatic class of the appliance is 4, the Units are suggested to be used at 16°C-32°C (60.8°F-89.6°F) ambient temperature.
- To avoid damages or other problems, this product can not be put or stored with any corrosive food.

WARNING: keep ventilation openings, in the appliance enclosure or in the built-in structure, clear of obstruction.

WARNING: do not use mechanical devices of other means to accelerate the defrosting process, other than those recommended by the manufacturer.

WARNING: do not damage the refrigerant circuit.

WARNING: do not use electrical appliances inside the food storage compartments of the appliance, unless they are of the type recommended by the manufacturer.

1. A high quality, fully enclosed compressor is used in this product and utilizes the R290 refrigerant which is an environmentally friendly gas. A forced air refrigeration system is used which ensures that the temperature is very even throughout the case.
2. Glazing is used throughout the product for maximum visibility and two rear mounted sliding doors allow easy access.
3. The horizontal showcase has a wide range of uses including convenience stores, bakery outlets and other food service establishments as well as offices and even homes.
4. Always allow a time of around 2 hours between moving the unit and restarting it.

HANDLING AND PLACEMENT

- **Handle with care.**
Unplug the wall socket first. Never tilt it over 45 degree during handling.
- **Dry place.**
Always locate the refrigerator at a dry place.
- **Sufficient space.**
The distance from both sides and back of refrigerator to wall or other substance must not less than 10cm. The refrigeration capability might be decreased if its surround space is too small to circulate air.

Safety and Warranty

- **Well ventilation.**
Always locate the refrigerator at a place with fine ventilation. For the first time use, wait for 2 hours after handling and then plug the wall socket and start it.
- **Far from heat source.**
Never place the refrigerator directly under the sunshine. Never locate it nearby any heat source or heater to prevent it from reducing refrigeration capability.
- **No heavy load.**
Never put any heavy load on the top of the refrigerator.
- **No hole making.**
Never make hole on the refrigerator. Never install other matter on the refrigerator.
- **Stable location.**
Unpacking and locate the refrigerator on a flat and solid place.
- **Exclusive power socket.**
Normally, the power supply should be 110-120V, single phase AC with exclusive single phase three pin receptacle and fuse. The power receptacle must have a reliable ground connection.
- **No share on socket.**
Never let the refrigerator share the common socket with other appliance, otherwise the cable becomes hot and fire might be resulted.
- **Protect cables.**
Never break or damage the cables otherwise current leakage and fire might be resulted.
- **No water flushing.**
Never give the refrigerator surface a flush otherwise current leakage might be resulted.
- **Prevent from flammables and explosive.**
Never put any flammable or explosive inside the refrigerator such as ether, gasoline, alcohol, adhesive and explosive. Never put dangerous product nearby the refrigerator.
- **No spray.**
To spray the flammables such as paint or coating nearby the refrigerator is not allowed, otherwise fire might be resulted.
- **After power break.**
After power break or unplugging the refrigerator, always wait at least 5 minutes and then you may plug the refrigerator and start it again.
- **No medicine.**
No medicine is allowed to keep inside the refrigerator.

RESIDENTIAL USERS: vendor assumes no liability for parts or labor coverage for component failure or other damages resulting from installation in non-commercial or residential applications. The right is reserved to deny shipment for residential usage; if this occurs, you will be notified as soon as possible.

1 YEAR PARTS AND LABOUR WARRANTY

Within the warranty period, contact Omcan Inc. at 1-800-465-0234 to schedule an Omcan authorized service technician to repair the equipment locally.

Unauthorized maintenance will void the warranty. Warranty covers electrical and part failures, not

Safety and Warranty

improper use.

Please see <https://omcan.com/disclaimer> for complete info.

WARNING:

The packaging components are classified as normal solid urban waste and can therefore be disposed of without difficulty.

In any case, for suitable recycling, we suggest disposing of the products separately (differentiated waste) according to the current norms.

DO NOT DISCARD ANY PACKAGING MATERIALS IN THE ENVIRONMENT!

Technical Specifications

SQUARE GLASS

Model	RS-CN-0145S-5	RS-CN-0186S-5	RS-CN-0225S-5	RS-CN-0277S-5
Capacity	145 L / 5.12 cu.ft.	186 L / 6.56 cu.ft.	225 L / 7.94 cu.ft.	277 L / 9.78 cu.ft.
Temperature Range	2 - 8°C / 35.6 - 46.4°F			
Max Ambient Temp Rating	24°C / 75°F			
Electrical	110-120V / 60Hz / 1			
Rated Input Power	350W		640W	800W
Refrigerant	R290			
Class	4			
Weight	156.5 lbs. / 71 kgs.	176.4 lbs. / 80 kgs.	242.5 lbs. / 110 kgs.	282.2 lbs. / 128 kgs.
Packaging Weight	163.1 lbs. / 74 kgs.	183 lbs. / 83 kgs.	257.9 lbs. / 117 kgs.	315.3 lbs. / 143 kgs.
Dimensions	27.7" x 23" x 34.9" 704 x 585 x 887mm	34.4" x 23" x 34.9" 874 x 585 x 887mm	48.2" x 23" x 34.9" 1224 x 585 x 887mm	60" x 23" x 34.9" 1524 x 585 x 887mm
Packaging Dimensions	30.4" x 25.1" x 36.8" 773 x 637 x 935mm	37.4" x 25.1" x 36.8" 951 x 637 x 935mm	50.8" x 25.1" x 36.8" 1290 x 637 x 935mm	62.8" x 25.1" x 36.8" 1595 x 637 x 935mm
Item Number	47962	47963	47964	47965

Technical Specifications

CURVED GLASS

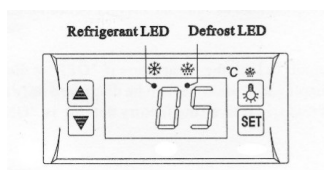
Model	RS-CN-0145C	RS-CN-0186C	RS-CN-0225C	RS-CN-0277C
Capacity	145 L / 5.12 cu.ft.	186 L / 6.56 cu.ft.	225 L / 7.94 cu.ft.	277 L / 9.78 cu.ft.
Temperature Range	2 - 8°C / 35.6 - 46.4°F			
Max Ambient Temp Rating	24°C / 75°F			
Electrical	110-120V / 60Hz / 1			
Rated Input Power	320W		620W	770W
Refrigerant	R290			
Class	4			
Weight	156.5 lbs. / 71 kgs.	176.4 lbs. / 80 kgs.	229.3 lbs. / 104 kgs.	282.2 lbs. / 128 kgs.
Packaging Weight	163.1 lbs. / 74 kgs.	183 lbs. / 83 kgs.	257.9 lbs. / 117 kgs.	315.3 lbs. / 143 kgs.
Dimensions	27.7" x 22.6" x 34.9" 704 x 574 x 887mm	34.4" x 22.6" x 34.9" 874 x 574 x 887mm	48.2" x 22.6" x 34.9" 1224 x 574 x 887mm	60" x 22.6" x 34.9" 1524 x 574 x 887mm
Packaging Dimensions	30.4" x 25.1" x 36.8" 773 x 637 x 935mm	37.4" x 25.1" x 36.8" 951 x 637 x 935mm	50.8" x 25.1" x 36.8" 1290 x 637 x 935mm	62.8" x 25.1" x 36.8" 1595 x 637 x 935mm
Item Number	47448	47966	47967	47968

Operation

BEFORE USE

Plug the fridge in to an exclusive 110-120V~ socket. Once the fridge has been running place your hand on the air extractor to confirm that it is sufficiently cold once you are happy then you may put food inside.

DIGITAL TEMPERATURE CONTROLLER



FEATURES OF FUNCTION

- It is a mini-sized and integrated intelligent controller and applicable to the compressor of one HP. The main functions are: temperature display, temperature control, manual/automatic defrost by burning off, illumination control, value storing, self testing, parameter locking.

Operation

FRONT PANEL OPERATION

1. Set temperature:
Press the "SET" button, the set temperature is displayed.
Press \triangle or ∇ button to modify and store the displayed value.
Press the "SET" button to exit the adjustment and display the cold-room temperature.
2. If no more button is pressed within 10 seconds, the cold-room temperature will be displayed.
3. Illumination: press the \odot button, it lights; press again, it stops.
Manual start/stop defrost: press the \odot button and hold for 6 seconds to defrost or stop defrost.
4. Refrigerant LED: during refrigeration, the LED is on; when the cold room temp. is constant, the LED is off; during the delay start, the LED flashes.
5. Defrost LED: during defrosting, the LED is on; when it stops defrosting, the LED is off, during the delay display of defrost, the LED flashes.

ADDITIONAL WARNING:



Caution: risk of fire. The height of the triangle in the symbol shall be at least 15mm.

Maintenance

- Often keep the refrigerator clean and periodical maintenance is necessary.
- Always unplug the socket before maintenance.
- Never use damaged plug or loose socket to prevent from electric shock or short circuit.
- Never flush the refrigerator. Never use alkali detergent, soap, gasoline, acetone or brush.

CLEANING

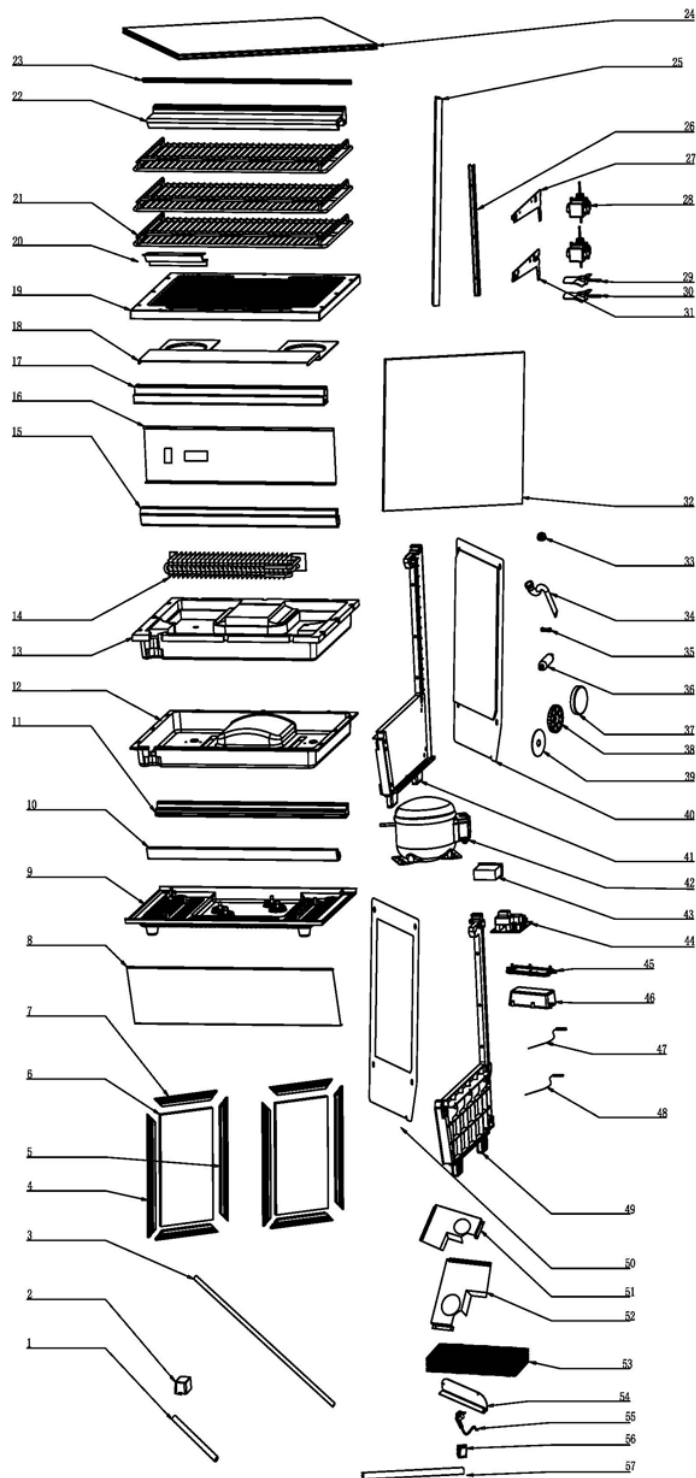
1. **Clean outside.**
 - Moisten soft cloth in a mild detergent solution to clean the outside, and then wipe off with a dry soft cloth.
2. **Clean inside.**
 - Remove the tray and clean with water.
 - Use a soft, damp cloth to wipe the interior.
3. **Turning off for prolonged periods.**
 - Take out all food and unplug the unit from the wall.
 - Clean both the inside and outside of the fridge thoroughly and open the door to allow it to dry.
 - Be careful as the glass can easily be broken.
4. **Replacement of the light.**
 - If the LED is damaged it must be replaced by the manufacturer or their service agent.

Troubleshooting

Trouble	Cause	Remedy
Unit not cooling.	Is the plug in the socket correctly?	Check the plug.
	Is the fuse blown?	Check fuse and replace if needed.
	Is there no power from the socket?	Plug another unit into the socket to check if it works.
Unit not cooling enough.	Is it in direct sunlight or near a heat source?	Move away from the heat source.
	Is the surrounding area bad for ventilation?	Move to an area with improved ventilation.
	Does the door close correctly? Is the door left open?	Check the door.
	Is the unit too full?	Remove some food.
	Is the temperature controller set correctly?	Check the controller.
Loud operation noise.	The fridge is not sitting level.	Move to a flat surface.
	The fridge is vibrating against something else.	Move the unit so it is not touching anything.
	There is loose part in the refrigerator.	Check the interior for loose parts and tighten.
Contact your local Omcan service agent for help if simple trouble shooting does not solve the problems.		

Parts Breakdown

Model RS-CN-0145S-5 47962



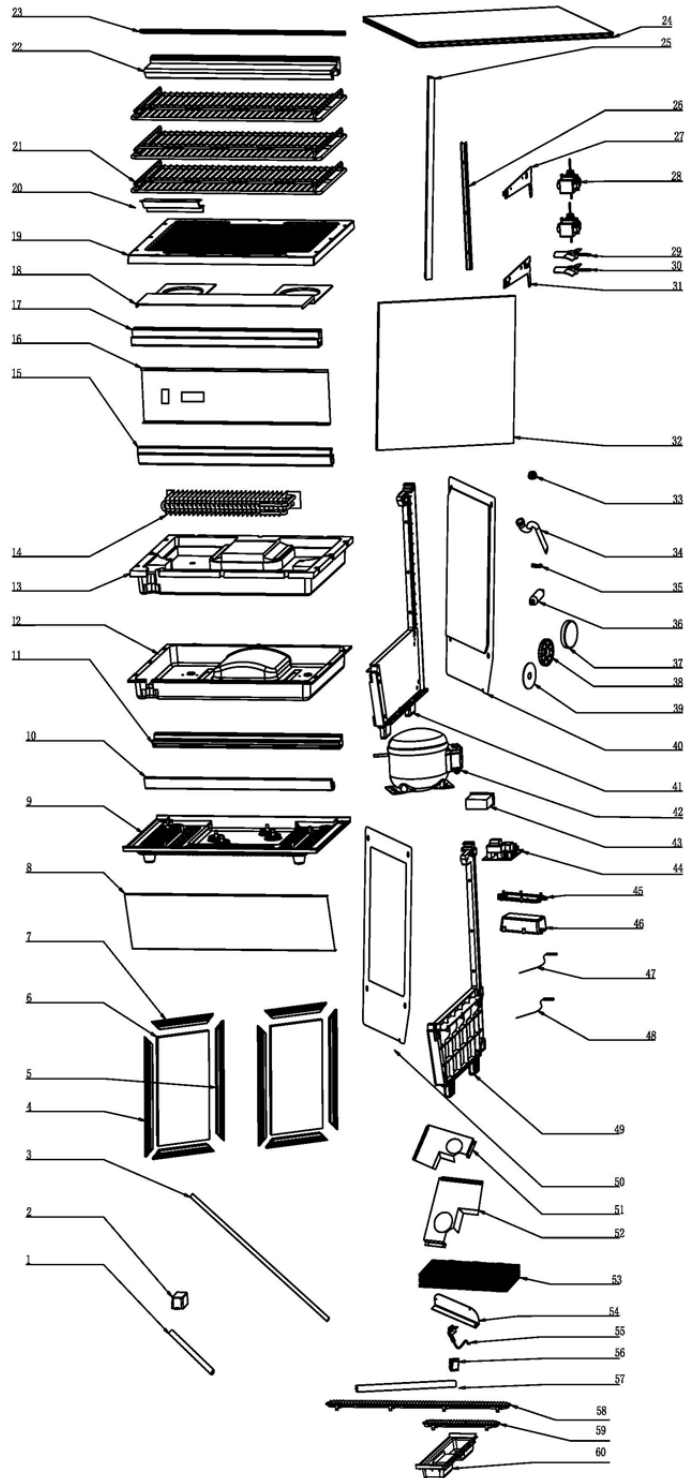
Parts Breakdown

Model RS-CN-0145S-5 47962

Item No.	Description	Position	Item No.	Description	Position	Item No.	Description	Position
68475	Suction Pipe for 47962	1	AP218	Top Seal for 47962	20	79314	Decoration Nut Gasket for 47962	39
68356	LED Driver for 47962	2	AP219	Shelf for 47962	21	AP229	Right Side Glass for 47962	40
AL595	LED Light for 47962	3	AP220	Top Panel for 47962	22	AP230	Left Panel for 47962	41
AP207	Left and Right Door Frame for 47962	4	30754	Decorative Board for 47962	23	60534	Compressor for 47962	42
AP208	Left and Right Door Frame for 47962	5	AP221	Top Glass for 47962	24	AA082	Temperature Display for 47962	43
AP209	Door Glass for 47962	6	AP222	Side Seal for 47962	25	AA052	Main Circuit Board for 47962	44
AP210	Up and Down Door Frame for 47962	7	AP223	Pillar for Bracket for 47962	26	AP231	Controller Box Cover for 47962	45
AA059	Front Frame for 47962	8	AP224	Left Shelf Bracket for 47962	27	AP232	Controller Box for 47962	46
AA058	Bottom Base of Compressor for 47962	9	AP225	Fan Motor for 47962	28	68332	Temperature Probe for 47962	47
30767	Front Bottom Pillar for 47962	10	AH724	Fan Blade for 47962	29	AA049	Defrost Probe for 47962	48
AP211	Rear Bottom Pillar for 47962	11	AL579	Big Fan Blade for 47962	30	AP233	Right Panel for 47962	49
AP212	Plastic Base for Foam for 47962	12	AP226	Right Shelf Bracket for 47962	31	AP234	Left Side Glass for 47962	50
AP213	Foam Base of Evaporator for 47962	13	AP227	Front Glass for 47962	32	AP235	Left Condenser Protect Plate for 47962	51
AP214	Evaporator for 47962	14	AP228	Fan Motor Fixing Ring for 47962	33	AP236	Right Condenser Protect Plate for 47962	52
30762	Front Middle Pillar for 47962	15	30744	Drainage Pipe for 47962	34	AL571	Condenser for 47962	53
AA056	Rear Frame for 47962	16	30617	Wire Clip for 47962	35	68510	Controller Box Fixing Plate for 47962	54
AP215	Rear Middle Pillar for 47962	17	30624	Dry Filter for 47962	36	AA062	Power Cord for 47962	55
AP216	Evaporator Protect Board for 47962	18	79312	Nut Decoration for 47962	37	71514	Switch (Green) for 47962	56
AP217	Vent Tray for 47962	19	79313	Nut Gasket for 47962	38	AP237	Front Top Pillar for 47962	57

Parts Breakdown

Model RS-CN-0186S-5 47963



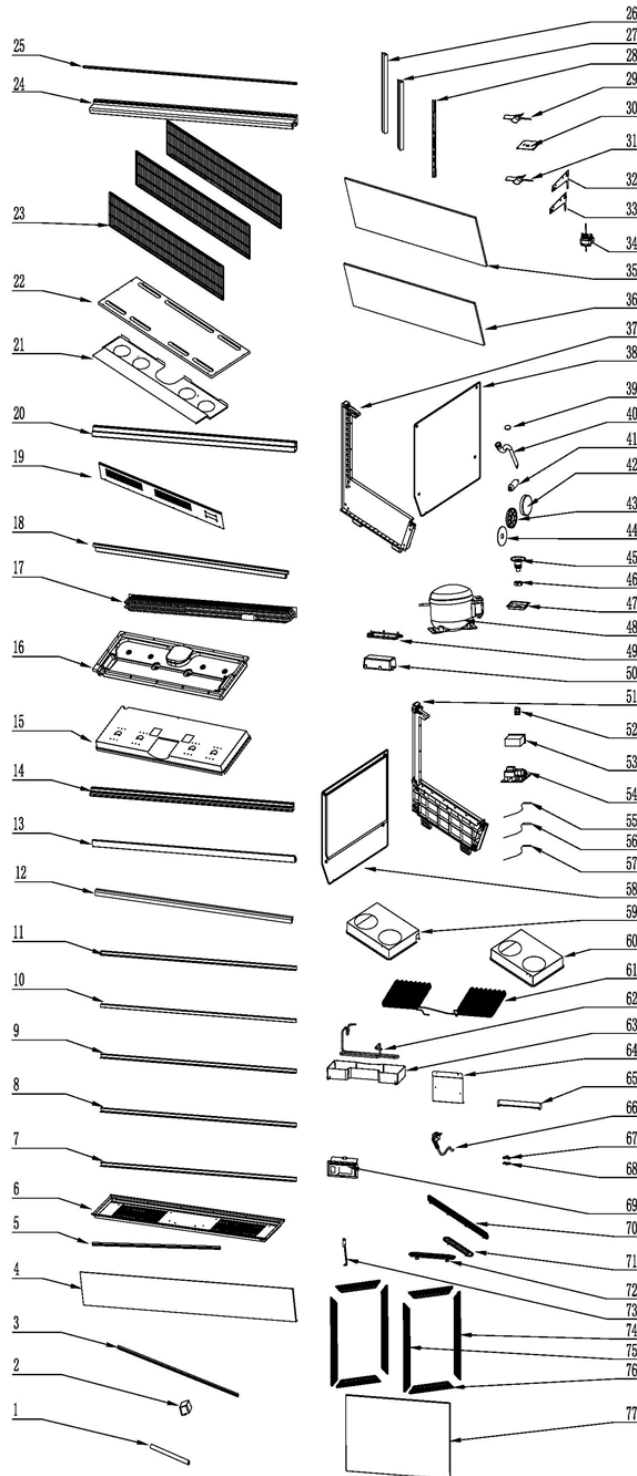
Parts Breakdown

Model RS-CN-0186S-5 47963

Item No.	Description	Position	Item No.	Description	Position	Item No.	Description	Position
68475	Suction Pipe for 47963	1	71684	Shelf for 47963	21	AP230	Left Panel for 47963	41
68356	LED Driver for 47963	2	AP243	Top Panel for 47963	22	60534	Compressor for 47963	42
AL614	LED Light for 47963	3	30799	Decorative Board for 47963	23	AA082	Temperature Display for 47963	43
AP207	Left and Right Door Frame for 47963	4	AH733	Top Glass for 47963	24	AA052	Main Circuit Board for 47963	44
AP208	Left and Right Door Frame for 47963	5	AP222	Side Seal for 47963	25	AA051	Control Box Cover for 47963	45
AP238	Door Glass for 47963	6	AP223	Pillar for Bracket for 47963	26	AA050	Controller Box for 47963	46
AP239	Up and Down Door Frame for 47963	7	AP244	Left Shelf Bracket for 47963	27	68332	Temperature Probe for 47963	47
AA065	Front Frame for 47963	8	AP225	Fan Motor for 47963	28	AA049	Defrost Probe for 47963	48
AA058	Bottom Base of Compressor for 47963	9	AH724	Fan Blade for 47963	29	AP233	Right Panel for 47963	49
68516	Front Bottom Pillar for 47963	10	30793	Big Fan Blade for 47963	30	AP234	Left Side Glass for 47963	50
AP240	Rear Bottom Pillar for 47963	11	AP245	Right Shelf Bracket for 47963	31	AA061	Left Condenser Protect Plate for 47963	51
AP241	Plastic Base for Foam for 47963	12	AP246	Front Glass for 47963	32	AA067	Right Condenser Protect Plate for 47963	52
30809	Foam Base of Evaporator for 47963	13	AP228	Fan Motor Fixing Ring for 47963	33	AL571	Condenser for 47963	53
AL607	Evaporator for 47963	14	AP247	Drainage Pipe for 47963	34	68510	Controller Box Fixing Plate for 47963	54
30807	Front Middle Pillar for 47963	15	30617	Wire Clip for 47963	35	AA062	Power Cord for 47963	55
AA064	Rear Frame for 47963	16	30624	Dry Filter for 47963	36	60119	Switch for 47963	56
AP242	Rear Middle Pillar for 47963	17	79312	Nut Decoration for 47963	37	AP248	Front Top Pillar for 47963	57
AH735	Evaporator Protect Board for 47963	18	79313	Nut Gasket for 47963	38	30777	Cover for Air Outlet for 47963	58
AH734	Vent Tray for 47963	19	79314	Decoration Nut Gasket for 47963	39	30776	Cover for Air Suction for 47963	59
AH725	Top Seal for 47963	20	AP229	Right Side Glass for 47963	40	30775	Water Receiver for 47963	60

Parts Breakdown

Model RS-CN-0225S-5 47964



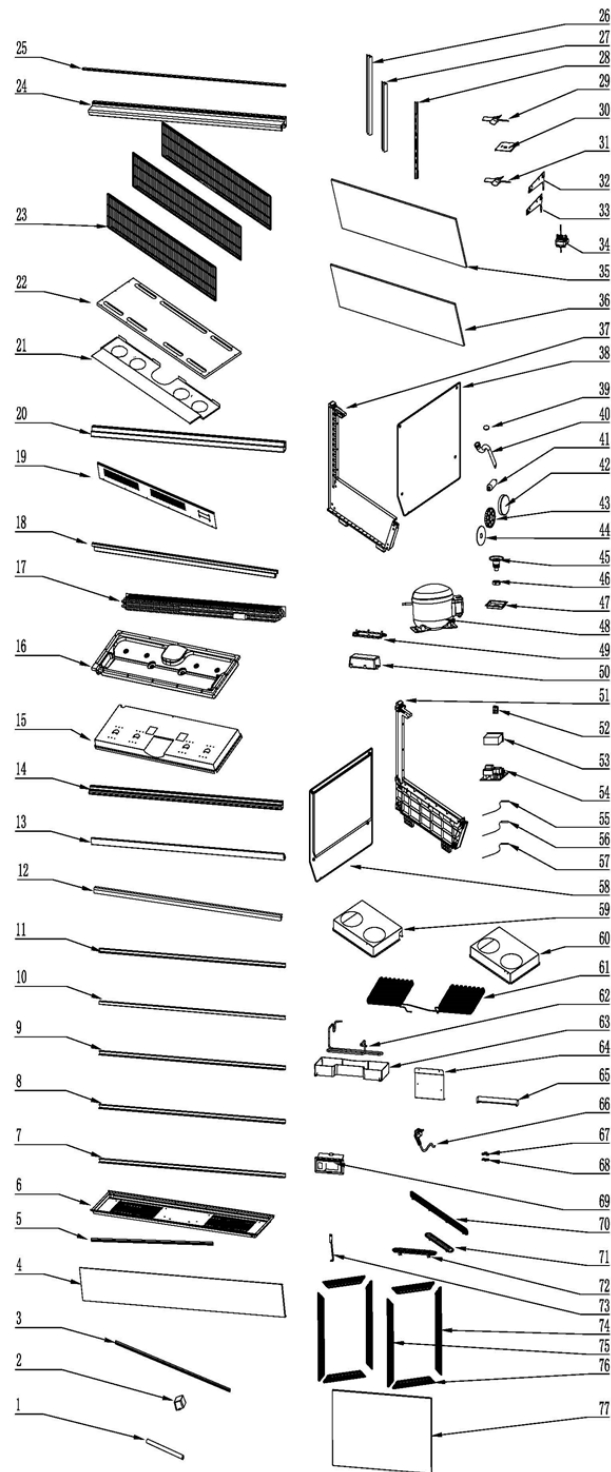
Parts Breakdown

Model RS-CN-0225S-5 47964

Item No.	Description	Position	Item No.	Description	Position	Item No.	Description	Position
30742	Filling Tube for 47964	1	AH725	Top Seal for 47964	27	AA082	Temperature Display for 47964	53
68356	LED Driver for 47964	2	AP223	Pillar for Bracket for 47964	28	AP262	Main Circuit Board for 47964	54
AL634	LED Light for 47964	3	AH740	Fan Blade for 47964	29	68332	Temperature Probe for 47964	55
AA106	Front Frame for 47964	4	AK119	Fan Motor Fixing Plate for 47964	30	AA049	Defrost Probe for 47964	56
AP249	Suction Pipe for 47964	5	AA087	Fan Blade for 47964	31	AH718	Overheating Probe for 47964	57
AA105	Bottom Base of Compressor for 47964	6	AP244	Left Shelf Bracket for 47964	32	AP229	Right Side Glass for 47964	58
AA104	Support for Front Bottom Pillar for 47964	7	AP245	Right Shelf Bracket for 47964	33	AA078	Left Condenser Protect Plate for 47964	59
AA103	Support for Rear Bottom Pillar for 47964	8	AK118	Fan Motor for 47964	34	AA077	Right Condenser Protect Plate for 47964	60
AP250	Support for Top Panel for 47964	9	AP259	Top Glass for 47964	35	AA076	Condenser for 47964	61
AP251	Support for Rear Middle Pillar 2 for 47964	10	AP260	Front Glass for 47964	36	AA075	High Pressure Tube for 47964	62
AP252	Support for Rear Middle Pillar for 47964	11	AP230	Left Panel for 47964	37	60948	Water Receiver for 47964	63
AP253	Front Top Pillar for 47964	12	AP234	Left Side Glass for 47964	38	AA074	Controller Box Fixing Plate for 47964	64
AA102	Front Bottom Pillar for 47964	13	AP228	Fan Motor Fixing Ring for 47964	39	AA073	Condenser Limiting Plate for 47964	65
AP254	Rear Bottom Pillar for 47964	14	AL309	Drain Pipe for 47964	40	AA062	Power Cord for 47964	66
AA100	Plastic Base for Foam for 47964	15	30624	Dry Filter for 47964	41	61245	Wire Clamp Cover for 47964	67
AP255	Foam Base of Evaporator for 47964	16	79312	Nut Decoration for 47964	42	61246	Wire Clamp Holder for 47964	68
AL625	Evaporator for 47964	17	79313	Nut Gasket for 47964	43	68298	Switch Panel Holder for 47964	69
AP256	Front Middle Pillar for 47964	18	79314	Decoration Nut Gasket for 47964	44	AA072	Air Outlet for 47964	70
AA096	Rear Frame for 47964	19	AL576	Drain Joint for 47964	45	30776	Air Outlet for 47964	71
AP257	Rear Middle Pillar for 47964	20	71518	Nut for 47964	46	AK110	Inclined Air Outlet for 47964	72
AA094	Evaporator Protect Board for 47964	21	AA083	Drainage Plate for 47964	47	AH739	Front Middle Support for 47964	73
AL621	Vent Tray for 47964	22	AP261	Compressor for 47964	48	AP207	Left and Right Door Frame for 47964	74
AA092	Shelf for 47964	23	AA051	Control Box Cover for 47964	49	AP208	Left and Right Door Frame for 47964	75
AP258	Top Panel for 47964	24	AA050	Controller Box for 47964	50	AP263	Up and Down Door Frame for 47964	76
AA089	Decorative Board for 47964	25	AP233	Right Panel for 47964	51	AP264	Door Glass for 47964	77
AP222	Side Seal for 47964	26	60119	Switch for 47964	52			

Parts Breakdown

Model RS-CN-0277S-5 47965



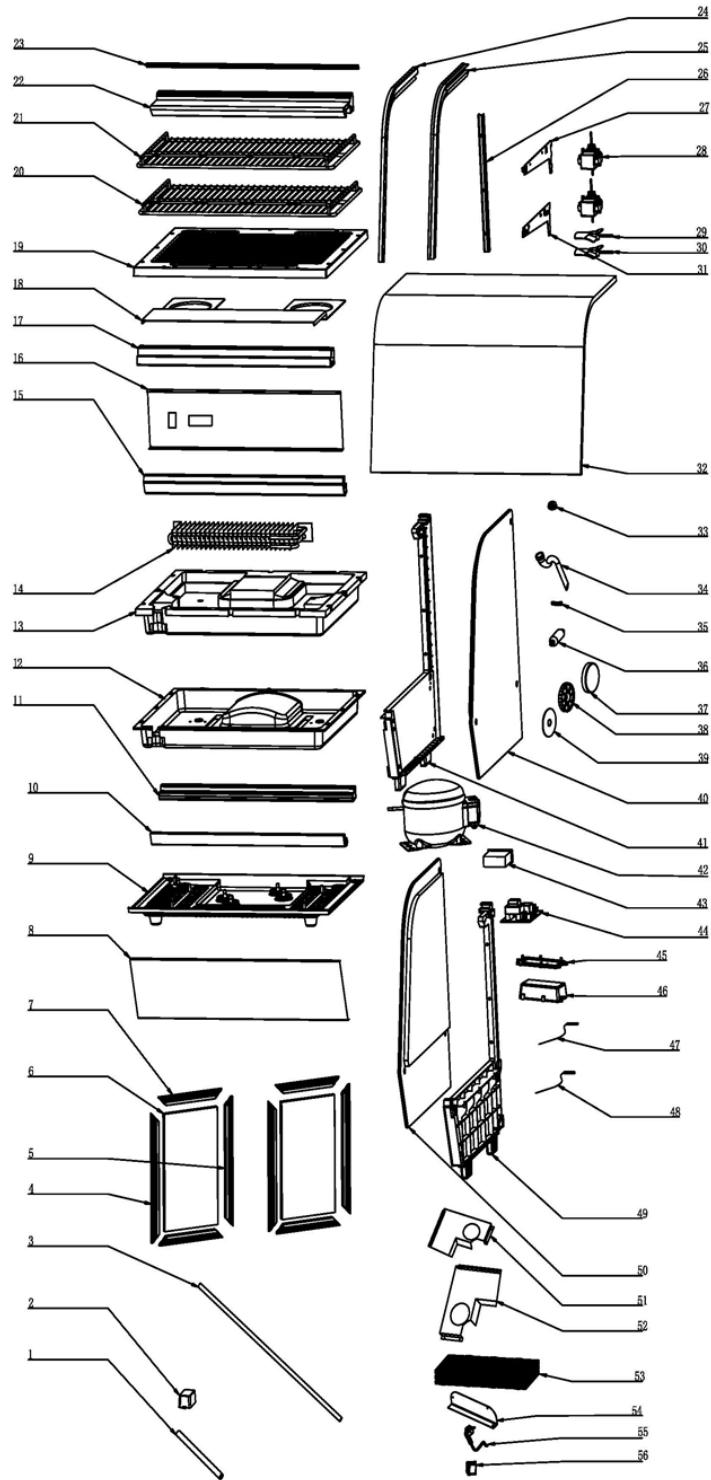
Parts Breakdown

Model RS-CN-0277S-5 47965

Item No.	Description	Position	Item No.	Description	Position	Item No.	Description	Position
30742	Filling Tube for 47965	1	AH725	Top Seal for 47965	27	AA082	Temperature Display for 47965	53
68356	LED Driver for 47965	2	AP223	Pillar for Bracket for 47965	28	60555	Main Circuit Board for 47965	54
AK143	LED Light for 47965	3	AH740	Fan Blade for 47965	29	68332	Temperature Probe for 47965	55
AP265	Front Frame for 47965	4	AK119	Fan Motor Fixing Plate for 47965	30	AA049	Defrost Probe for 47965	56
AP249	Suction Pipe for 47965	5	AA087	Fan Blade for 47965	31	AH718	Overheating Probe for 47965	57
AK141	Bottom Base of Compressor for 47965	6	AP244	Left Shelf Bracket for 47965	32	AP229	Right Side Glass for 47965	58
AK137	Support for Front Bottom Pillar for 47965	7	AP245	Right Shelf Bracket for 47965	33	AK114	Left Condenser Protect Board for 47965	59
AP266	Support for Rear Bottom Pillar for 47965	8	AK118	Fan Motor for 47965	34	AK113	Right Condenser Protect Board for 47965	60
AP267	Support for Top Panel for 47965	9	AK117	Top Glass for 47965	35	AK112	Condenser for 47965	61
AP268	Support for Rear Middle Pillar 2 for 47965	10	AP274	Front Glass for 47965	36	AA075	High Pressure Tube for 47965	62
AP252	Support for Rear Middle Pillar for 47965	11	AP230	Left Panel for 47965	37	60948	Water Receiver for 47965	63
AK135	Front Top Pillar for 47965	12	AP234	Left Side Glass for 47965	38	AA074	Controller Box Fixing Plate for 47965	64
AP269	Front Bottom Pillar for 47965	13	AP228	Fan Motor Fixing Ring for 47965	39	AK111	Condenser Limiting Plate for 47965	65
AP270	Rear Bottom Pillar for 47965	14	AL309	Drain Pipe for 47965	40	AA062	Power Cord for 47965	66
AK132	Plastic Base for Foam for 47965	15	30624	Dry Filter for 47965	41	61245	Wire Clamp Cover for 47965	67
AK131	Foam Base of Evaporator for 47965	16	79312	Nut Decoration for 47965	42	61246	Wire Clip Holder for 47965	68
AK130	Evaporator for 47965	17	79313	Nut Gasket for 47965	43	68298	Switch Panel Holder for 47965	69
AK129	Front Middle Pillar for 47965	18	79314	Decoration Nut Gasket for 47965	44	30777	Air Suction for 47965	70
AP271	Rear Frame for 47965	19	AL576	Drain Joint for 47965	45	30776	Air Outlet for 47965	71
AP272	Rear Middle Pillar for 47965	20	71518	Nut for 47965	46	AK110	Inclined Air Outlet for 47965	72
AK126	Evaporator Protect Board for 47965	21	AA083	Drainage Plate for 47965	47	AK109	Front Middle Support for 47965	73
AK125	Vent Tray for 47965	22	AP261	Compressor for 47965	48	AP207	Left and Right Door Frame for 47965	74
AK124	Shelf for 47965	23	AA051	Controller Box Cover for 47965	49	AP208	Left and Right Door Frame for 47965	75
AP273	Top Panel for 47965	24	AA050	Controller Box for 47965	50	AP275	Up and Down Door Frame for 47965	76
AK120	Decorative Board for 47965	25	AP233	Right Panel for 47965	51	AP276	Door Glass for 47965	77
AP222	Side Seal for 47965	26	60119	Switch for 47965	52			

Parts Breakdown

Model RS-CN-0145C 47448



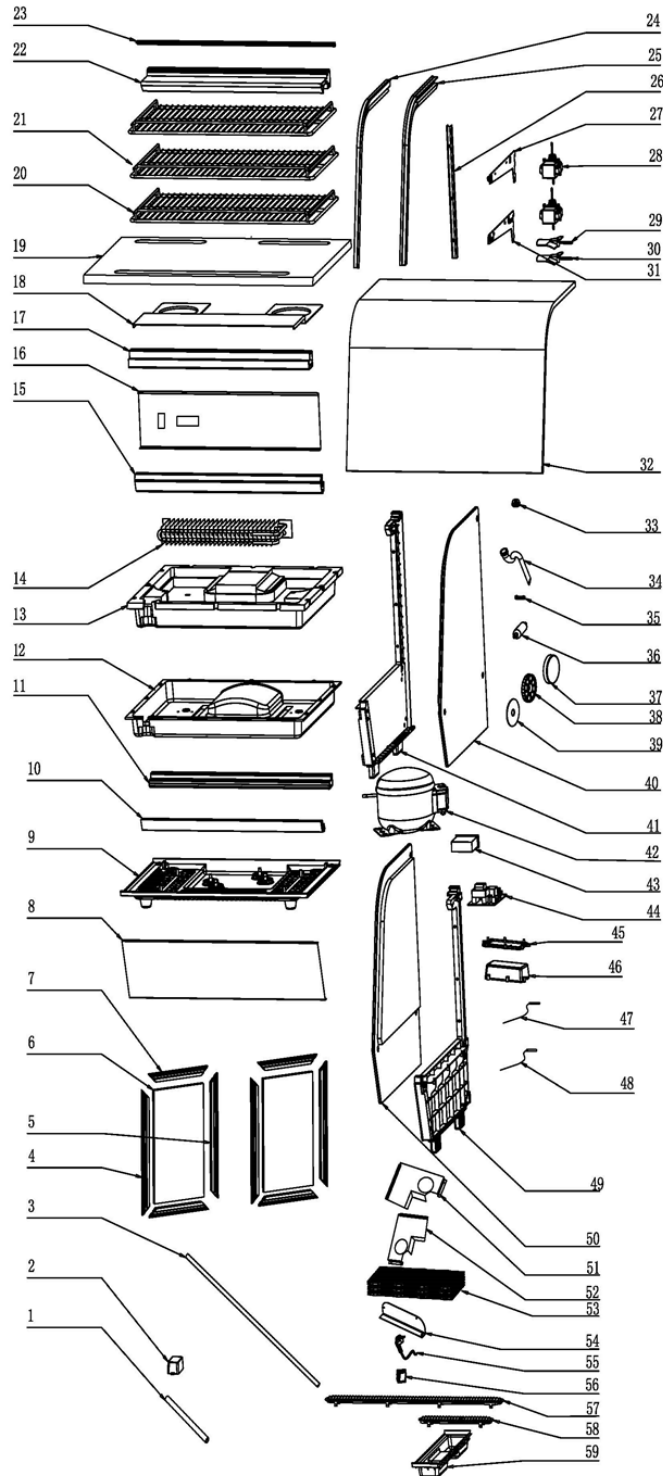
Parts Breakdown

Model RS-CN-0145C 47448

Item No.	Description	Position	Item No.	Description	Position	Item No.	Description	Position
68475	Suction Pipe for 47448	1	AP279	Shelf for 47448	20	79314	Decoration Nut Gasket for 47448	39
68356	LED Driver for 47448	2	AP219	Shelf for 47448	21	AP283	Right Side Glass for 47448	40
AP277	LED Light for 47448	3	AP220	Top Panel for 47448	22	AP284	Left Panel for 47448	41
AP207	Left and Right Door Frame for 47448	4	30754	Decorative Board for 47448	23	60534	Compressor for 47448	42
AP208	Left and Right Door Frame for 47448	5	AP280	Left Seal for 47448	24	AA082	Temperature Display for 47448	43
AP209	Door Glass for 47448	6	AP281	Right Seal for 47448	25	AA052	Main Circuit Board for 47448	44
AP210	Up and Down Door Frame for 47448	7	AP223	Pillar for Bracket for 47448	26	AP285	Controller Box Cover for 47448	45
AA059	Front Frame for 47448	8	AP224	Left Shelf Bracket for 47448	27	AP286	Controller Box for 47448	46
AA058	Bottom Base of Compressor for 47448	9	AP225	Fan Motor for 47448	28	68332	Temperature Probe for 47448	47
30767	Front Bottom Pillar for 47448	10	AH724	Fan Blade for 47448	29	AA049	Defrost Probe for 47448	48
AP211	Rear Bottom Pillar for 47448	11	AL579	Big Fan Blade for 47448	30	AP287	Right Panel for 47448	49
AP212	Plastic Base for Foam for 47448	12	AP226	Right Shelf Bracket for 47448	31	AP288	Left Side Glass for 47448	50
AP213	Foam Base of Evaporator for 47448	13	AP282	Curved Glass for 47448	32	AP235	Left Condenser Protect Plate for 47448	51
AP214	Evaporator for 47448	14	AP228	Fan Motor Fixing Ring for 47448	33	AP236	Right Condenser Protect Plate for 47448	52
AP278	Front Middle Pillar for 47448	15	30744	Drainage Pipe for 47448	34	AL571	Condenser for 47448	53
AA056	Rear Frame for 47448	16	30617	Wire Clip for 47448	35	68510	Controller Box Fixing Plate for 47448	54
AP215	Rear Middle Pillar for 47448	17	30624	Dry Filter for 47448	36	AA062	Power Cord for 47448	55
AP216	Evaporator Protect Board for 47448	18	79312	Nut Decoration for 47448	37	71514	Switch (Green) for 47448	56
AP217	Vent Tray for 47448	19	79313	Nut Gasket for 47448	38			

Parts Breakdown

Model RS-CN-0186C 47966



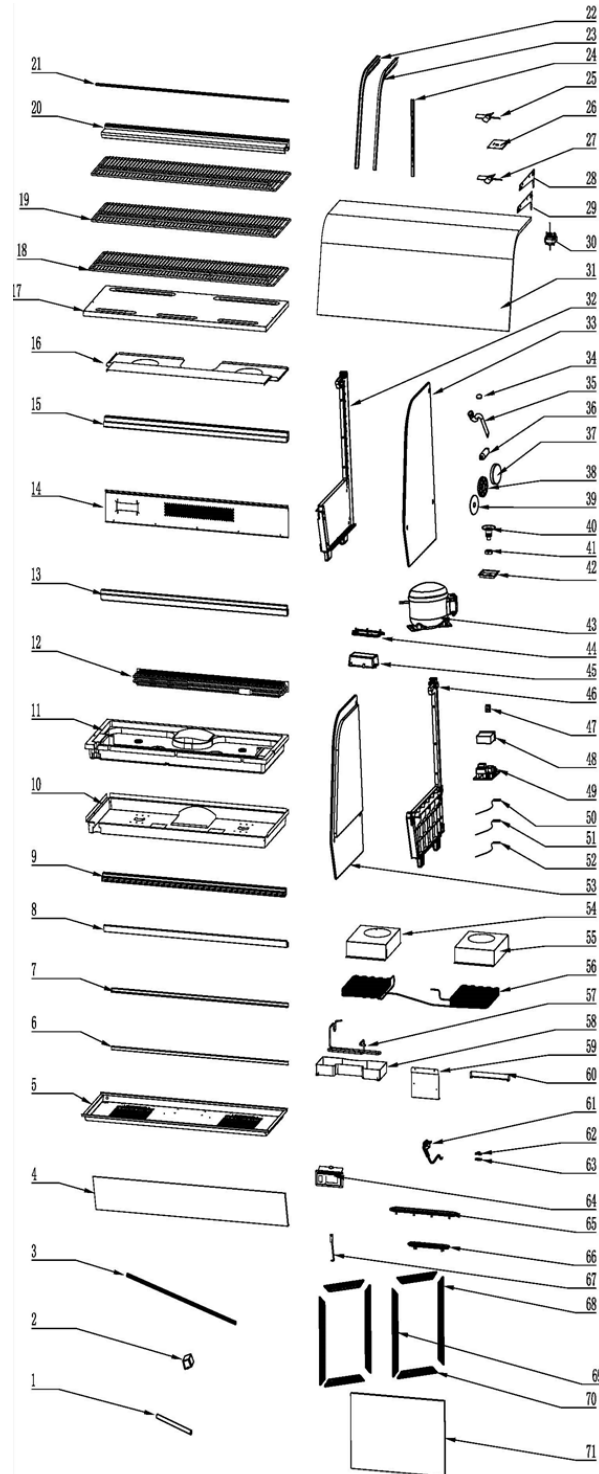
Parts Breakdown

Model RS-CN-0186C 47966

Item No.	Description	Position	Item No.	Description	Position	Item No.	Description	Position
68475	Suction Pipe for 47966	1	71684	Shelf for 47966	21	AP284	Left Panel for 47966	41
68356	LED Driver for 47966	2	AP243	Top Panel for 47966	22	60534	Compressor for 47966	42
AL614	LED Light for 47966	3	30799	Decorative Board for 47966	23	AA082	Temperature Display for 47966	43
AP207	Left and Right Door Frame for 47966	4	AP280	Left Seal for 47966	24	AA052	Main Circuit Board for 47966	44
AP208	Left and Right Door Frame for 47966	5	AP281	Right Seal for 47966	25	AA051	Control Box Cover for 47966	45
AP238	Door Glass for 47966	6	AP223	Pillar for Bracket for 47966	26	AA050	Controller Box for 47966	46
AP239	Up and Down Door Frame for 47966	7	AP224	Left Shelf Bracket for 47966	27	68332	Temperature Probe for 47966	47
AA065	Front Frame for 47966	8	AP225	Fan Motor for 47966	28	AA049	Defrost Probe for 47966	48
AA058	Bottom Base of Compressor for 47966	9	AH724	Fan Blade for 47966	29	AP287	Right Panel for 47966	49
68516	Front Bottom Pillar for 47966	10	30793	Big Fan Blade for 47966	30	AP288	Left Side Glass for 47966	50
AP240	Rear Bottom Pillar for 47966	11	AP226	Right Shelf Bracket for 47966	31	AA067	Right Condenser Protect Plate for 47966	51
AP241	Plastic Base for Foam for 47966	12	AP290	Curved Glass for 47966	32	AA061	Left Condenser Protect Plate for 47966	52
30809	Foam Base of Evaporator for 47966	13	AP228	Fan Motor Fixing Ring for 47966	33	AP291	Condenser for 47966	53
AL607	Evaporator for 47966	14	30744	Drainage Pipe for 47966	34	68510	Controller Box Fixing Plate for 47966	54
AP289	Front Middle Pillar for 47966	15	30617	Wire Clip for 47966	35	AA062	Power Cord for 47966	55
AA064	Rear Frame for 47966	16	30624	Dry Filter for 47966	36	60119	Switch for 47966	56
AP242	Rear Middle Pillar for 47966	17	79312	Nut Decoration for 47966	37	30777	Air Suction for 47966	57
AH735	Evaporator Protect Board for 47966	18	79313	Nut Gasket for 47966	38	30776	Air Outlet for 47966	58
AH734	Vent Tray for 47966	19	79314	Decoration Nut Gasket for 47966	39	30775	Water Receiver for 47966	59
71683	Shelf for 47966	20	AP283	Right Side Glass for 47966	40			

Parts Breakdown

Model RS-CN-0225C 47967



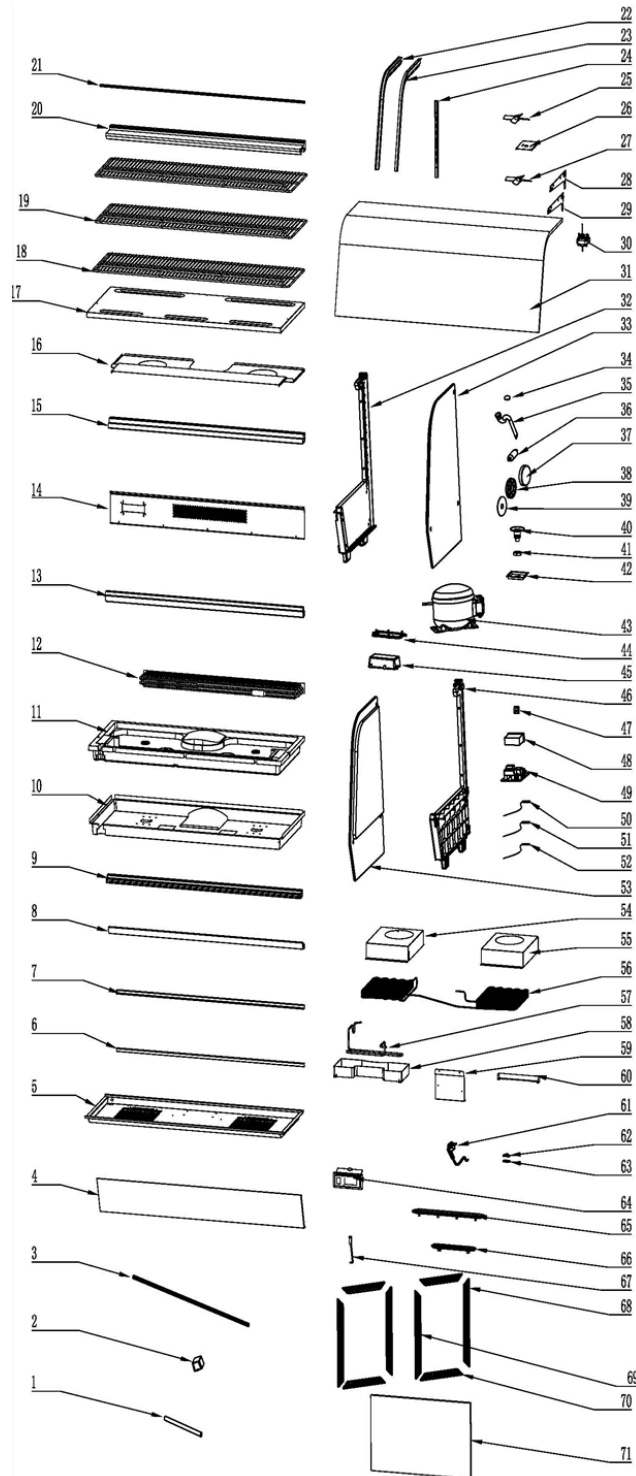
Parts Breakdown

Model RS-CN-0225C 47967

Item No.	Description	Position	Item No.	Description	Position	Item No.	Description	Position
AP249	Suction Pipe for 47967	1	AH740	Fan Blade for 47967	25	AA052	Main Circuit Board for 47967	49
68356	LED Driver for 47967	2	AK119	Fan Motor Fixing Plate for 47967	26	68332	Temperature Probe for 47967	50
AL634	LED Light for 47967	3	AA087	Fan Blade for 47967	27	AA049	Defrost Probe for 47967	51
AA106	Front Frame for 47967	4	AP244	Left Shelf Bracket for 47967	28	AH718	Overheating Probe for 47967	52
AA105	Bottom Base of Compressor for 47967	5	AP245	Right Shelf Bracket for 47967	29	AP234	Left Side Glass for 47967	53
AA104	Support for Front Bottom Pillar for 47967	6	AK118	Fan Motor for 47967	30	AA078	Left Condenser Protect Plate for 47967	54
AA103	Support for Rear Bottom Pillar for 47967	7	AP292	Curved Glass for 47967	31	AA077	Right Condenser Protect Plate for 47967	55
AA102	Front Bottom Pillar for 47967	8	AP287	Right Panel for 47967	32	AA076	Condenser for 47967	56
AP254	Rear Bottom Pillar for 47967	9	AP283	Right Side Glass for 47967	33	AA075	High Pressure Tube for 47967	57
AA100	Plastic Base for Foam for 47967	10	AP228	Fan Motor Fixing Ring for 47967	34	60948	Water Receiver for 47967	58
AA099	Foam Base of Evaporator for 47967	11	AL309	Drain Pipe for 47967	35	AA074	Controller Box Fixing Plate for 47967	59
AL625	Evaporator for 47967	12	30624	Dry Filter for 47967	36	AA073	Condenser Limiting Plate for 47967	60
AA097	Front Middle Pillar for 47967	13	79312	Nut Decoration for 47967	37	AA062	Power Cord for 47967	61
AA096	Rear Frame for 47967	14	79313	Nut Gasket for 47967	38	61245	Wire Clamp Cover for 47967	62
AP257	Rear Middle Pillar for 47967	15	79314	Decoration Nut Gasket for 47967	39	61246	Wire Clip Holder for 47967	63
AA094	Evaporator Protect Board for 47967	16	AL576	Drain Joint for 47967	40	68298	Switch Panel Holder for 47967	64
AL621	Vent Tray for 47967	17	71518	Nut for 47967	41	30776	Air Outlet for 47967	65
AA092	Shelf for 47967	18	AA083	Drainage Plate for 47967	42	AA072	Air Outlet for 47967	66
AA091	Shelf for 47967	19	AP261	Compressor for 47967	43	AH739	Front Middle Support for 47967	67
AP258	Top Panel for 47967	20	AP285	Controller Box Cover for 47967	44	AP207	Left and Right Door Frame for 47967	68
AA089	Decorative Board for 47967	21	AP286	Controller Box for 47967	45	AP208	Left and Right Door Frame for 47967	69
AP280	Left Seal for 47967	22	AP284	Left Panel for 47967	46	AP263	Up and Down Door Frame for 47967	70
AP281	Right Seal for 47967	23	60119	Switch for 47967	47	AP293	Door Glass for 47967	71
AP223	Pillar for Bracket for 47967	24	AA082	Temperature Display for 47967	48			

Parts Breakdown

Model RS-CN-0277C 47968



Parts Breakdown

Model RS-CN-0277C 47968

Item No.	Description	Position	Item No.	Description	Position	Item No.	Description	Position
AP294	Suction Pipe for 47968	1	AP317	Fan Blade for 47968	25	AP262	Main Circuit Board for 47968	49
AP295	LED Driver for 47968	2	AP318	Fan Motor Fixing Plate for 47968	26	68332	Temperature Probe for 47968	50
AP296	LED Light for 47968	3	AP319	Fan Blade for 47968	27	AA049	Defrost Probe for 47968	51
AP297	Front Frame for 47968	4	AP320	Left Shelf Bracket for 47968	28	AH718	Overheating Probe for 47968	52
AP298	Bottom Base of Compressor for 47968	5	AP321	Right Shelf Bracket for 47968	29	AP234	Left Side Glass for 47968	53
AP299	Support for Front Bottom Pillar for 47968	6	AP322	Fan Motor for 47968	30	AK114	Left Condenser Protect Board for 47968	54
AP300	Support for Rear Bottom Pillar for 47968	7	AP292	Curved Glass for 47968	31	AK113	Right Condenser Protect Board for 47968	55
AK134	Front Bottom Pillar for 47968	8	AP287	Right Panel for 47968	32	AK112	Condenser for 47968	56
AP301	Rear Bottom Pillar for 47968	9	AP283	Right Side Glass for 47968	33	AA075	High Pressure Tube for 47968	57
AP302	Plastic Base for Foam for 47968	10	AP228	Fan Motor Fixing Ring for 47968	34	60948	Water Receiver for 47968	58
AP303	Foam Base of Evaporator for 47968	11	AL309	Drain Pipe for 47968	35	AA074	Controller Box Fixing Plate for 47968	59
AP304	Evaporator for 47968	12	30624	Dry Filter for 47968	36	AA073	Condenser Limiting Plate for 47968	60
AP305	Front Middle Pillar for 47968	13	79312	Nut Decoration for 47968	37	AA062	Power Cord for 47968	61
AP306	Rear Frame for 47968	14	79313	Nut Gasket for 47968	38	61245	Wire Clamp Cover for 47968	62
AP307	Rear Middle Pillar for 47968	15	79314	Decoration Nut Gasket for 47968	39	61246	Wire Clip Holder for 47968	63
AP308	Evaporator Protect Board for 47968	16	AL576	Drain Joint for 47968	40	68298	Switch Panel Holder for 47968	64
AP309	Vent Tray for 47968	17	71518	Nut for 47968	41	30776	Air Outlet for 47968	65
AP310	Shelf for 47968	18	AA083	Drainage Plate for 47968	42	30777	Air Suction for 47968	66
AP311	Shelf for 47968	19	AP261	Compressor for 47968	43	AK109	Front Middle Support for 47968	67
AP312	Top Panel for 47968	20	AA051	Control Box Cover for 47968	44	AP207	Left and Right Door Frame for 47968	68
AP313	Decorative Board for 47968	21	AA050	Controller Box for 47968	45	AP208	Left and Right Door Frame for 47968	69
AP314	Left Seal for 47968	22	AP284	Left Panel for 47968	46	AP275	Up and Down Door Frame for 47968	70
AP315	Right Seal for 47968	23	60119	Switch for 47968	47	AP276	Door Glass for 47968	71
AP316	Pillar for Bracket for 47968	24	AA082	Temperature Display for 47968	48			

Electrical Schematics

Model RS-CN-0145S-5 47962

Model RS-CN-0186S-5 47963

Model RS-CN-0225S-5 47964

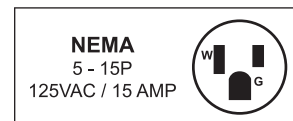
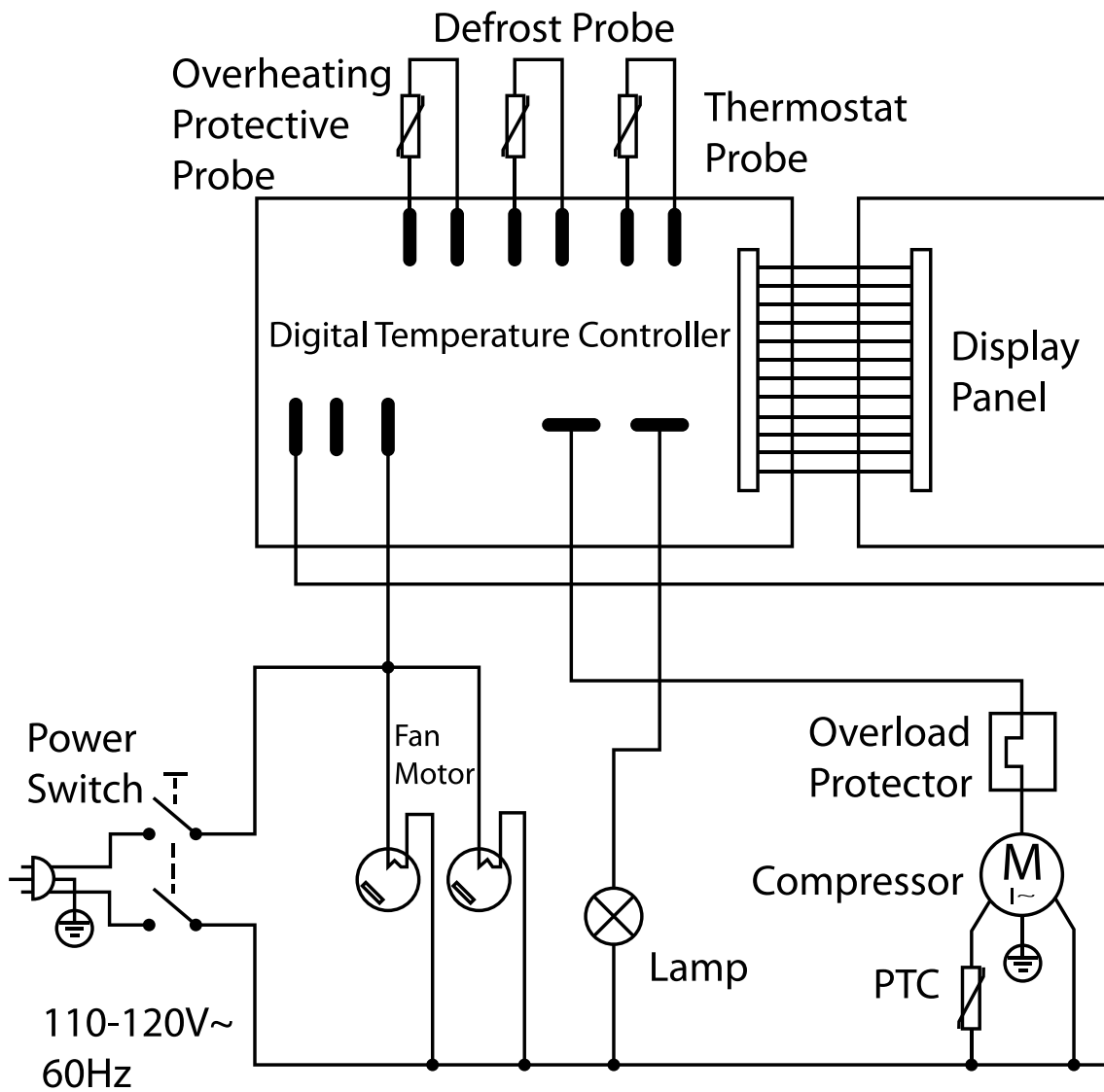
Model RS-CN-0277S-5 47965

Model RS-CN-0145C 47448

Model RS-CN-0186C 47966

Model RS-CN-0225C 47967

Model RS-CN-0277C 47968





Warranty Registration

Thank you for purchasing an Omcan product. To register your warranty for this product, complete the information below, tear off the card at the perforation and then send to the address specified below. You can also register online by visiting:

Merci d'avoir acheté un produit Omcan. Pour enregistrer votre garantie pour ce produit, complétez les informations ci-dessous, détachez la carte au niveau de la perforation, puis l'envoyer à l'adresse spécifiée ci-dessous. Vous pouvez également vous inscrire en ligne en visitant:

Gracias por comprar un producto Omcan usted. Para registrar su garantía para este producto, complete la información a continuación, cortar la tarjeta en la perforación y luego enviarlo a la dirección indicada a continuación. También puede registrarse en línea en:

<https://omcan.com/warranty-registration/>

For mailing in Canada

Pour postale au Canada

Por correo en Canadá

OMCAN

PRODUCT WARRANTY REGISTRATION

3115 Pepper Mill Court,
Mississauga, Ontario
Canada, L5L 4X5

For mailing in the US

Pour diffusion aux États-Unis

Por correo en los EE.UU.

OMCAN

PRODUCT WARRANTY REGISTRATION

4450 Witmer Industrial Estates, Unit 4,
Niagara Falls, New York
USA, 14305

or email to: service@omcan.com



Purchaser's Information

Name: _____

Address: _____

City: _____ Province or State: _____ Postal or Zip: _____

Country: _____

Dealer from which Purchased: _____

Dealer City: _____ Dealer Province or State: _____

Invoice: _____

Model Name: _____ Model Number: _____

Machine Description: _____

Date of Purchase (MM/DD/YYYY): _____

Would you like to extend the warranty? Yes No

Company Name: _____

Telephone: _____

Email Address: _____

Type of Company:

Restaurant Bakery Deli

Butcher Supermarket Caterer

Institution (*specify*): _____

Other (*specify*): _____

Serial Number: _____

Date of Installation (MM/DD/YYYY): _____

Thank you for choosing Omcan | Merci d'avoir choisi Omcan | Gracias por elegir Omcan



Since 1951 Omcan has grown to become a leading distributor of equipment and supplies to the North American food service industry. Our success over these many years can be attributed to our commitment to strengthen and develop new and existing relationships with our valued customers and manufacturers. Today with partners in North America, Europe, Asia and South America, we continually work to improve and grow the company. We strive to offer customers exceptional value through our qualified local sales and service representatives who provide convenient access to over 6,500 globally sourced products.

Depuis 1951 Omcan a grandi pour devenir un des “leaders” de la distribution des équipements et matériel pour l’industrie des services alimentaires en Amérique du Nord. Notre succès au cours de ces nombreuses années peut être attribué à notre engagement à renforcer et à développer de nouvelles et existantes relations avec nos clients et les fabricants de valeur. Aujourd’hui avec des partenaires en Amérique du Nord, Europe, Asie et Amérique du Sud, nous travaillons continuellement à améliorer et développer l’entreprise. Nous nous efforçons d’offrir à nos clients une valeur exceptionnelle grâce à nos ventes locales qualifiées et des représentants de service qui offrent un accès facile à plus de 6500 produits provenant du monde entier.

Desde 1951 Omcan ha crecido hasta convertirse en un líder en la distribución de equipos y suministros de alimentos en América del Norte industria de servicios. Nuestro éxito en estos años se puede atribuir a nuestro compromiso de fortalecer y desarrollar nuevas relaciones existentes con nuestros valiosos clientes y fabricantes. Hoy con socios de América del Norte, Europa, Asia y América del Sur, que trabajan continuamente para mejorar y crecer la empresa. Nos esforzamos por ofrecer a nuestros clientes valor excepcional a través de nuestro local de ventas y representantes de los servicios que proporcionan un fácil acceso a más de 6,500 productos con origen a nivel mundial.

